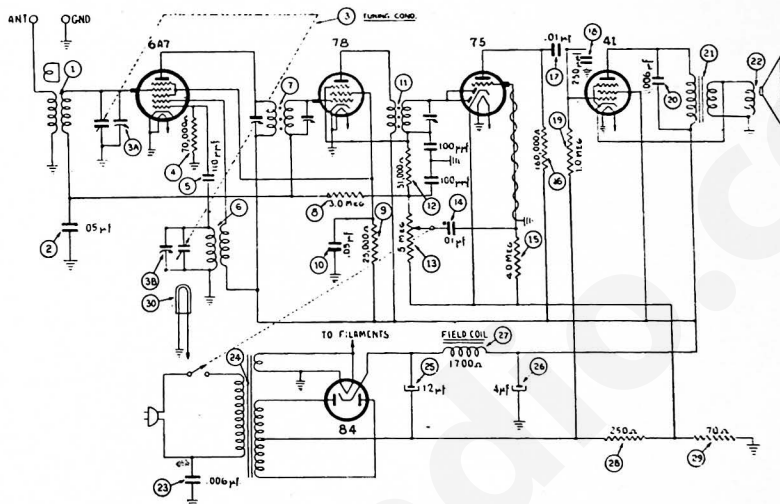


PHILCO MODEL TH-3

MODEL TH-3 is a 5 tube superheterodyne receiver covering a frequency range from 540 to 1720 kilocycles and designed for operation on 115 volts alternating current (A.C.). The tubes used in this model are indicated on the schematic diagram shown below.

The procedure for aligning the compensating condensers of this model will be found on page 3 under General Aligning Instructions.



REPLACEMENT PARTS

TRANSITONE HOME RADIO MODEL TH-3

Schem. No.	Description	Philco Part No.	Schem. No.	Description	Philco Part No.
1	Antenna Transformer.....	32-2583	23	Condenser (.008 mf. molded).....	30-4423
2	Condenser (.05 mf. tubular).....	30-4519	24	Power Transformer.....	32-7979
3	Tuning Condenser.....	31-2335	25	Electrolytic Condenser (12 mf.)....	30-2327
4	Resistor (70,000 ohms, 1/2 watt).....	33-370339	26	Electrolytic Condenser (4 mf.).....	30-2328
5	Condenser (110 mmf. mica).....	30-1031	27	Field Coil.....Part of Speaker	36-1461
6	Oscillator Transformer.....	32-3021	28	Resistor (250 ohms, 1/2 watt).....	33-125339
7	1st I.F. Transformer.....	32-3120	29	Resistor (70 ohms, 1/2 watt).....	33-070339
8	Resistor (3.0 meg., 1/2 watt).....	33-530339	30	Pilot Lamp.....	34-2064
9	Resistor (25,000 ohms, 1/2 watt).....	33-325339		Baffle & Silk Assembly.....	40-6430
10	Condenser (.05 mf. tubular).....	30-4444		Bezel Throat.....	28-5474
11	2nd I.F. Transformer.....	32-2674		Bezel Window.....	27-5409
12	Resistor (51,000 ohms, 1/2 watt).....	33-351339		Cone Assembly (For Speaker 36-1461-1)	36-4114
13	Volume Control.....	33-5254		Cone Assembly (For Speaker 36-1461-2)	36-4095
14	Condenser (.01 mf. tubular).....	30-4479		Dial & Scale Assembly.....	31-2351
15	Resistor (4.0 meg., 1/2 watt).....	33-540339		Drive Cord 10 9/16".....	27-8411
16	Resistor (160,000 ohms, 1/2 watt).....	33-416339		Drive Drum.....	28-6662
17	Condenser (.01 mf. tubular).....	30-4169		Drive Shaft.....	56-6018
18	Condenser (250 mmf. mica).....	30-1032		Knob Assembly.....	27-4632
19	Resistor (1.0 meg., 1/2 watt).....	33-510339		Pointer.....	28-5468
20	Condenser (.008 mf. tubular).....	30-4467		Power Cord.....	L-2778
21	Output Transformer.....			Socket (5 prong).....	27-6035
	For Speaker 36-1461-1.....	32-8046		Socket (6 prong).....	27-6036
	For Speaker 36-1461-2.....	32-8040		Socket (7 prong).....	27-6037
22	Speaker Cone and Voice Coil Assembly.....Part of Speaker	See next column 36-1461		Speaker.....	36-1461